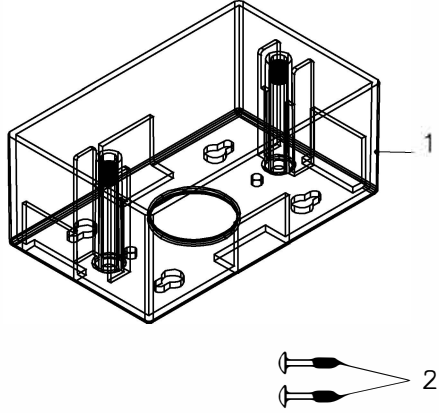
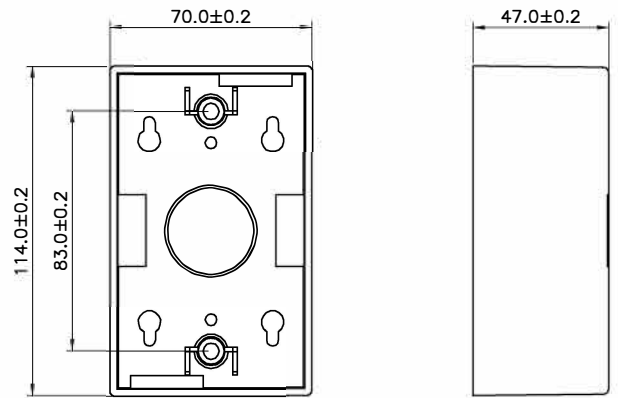


NOTE: ALL MATERIAL COMPLIANT ROHS STANDARD

REVISION INFORMATION			
Rev.	Rev. Date	Modified By	Brief Description



SCALE 1/2



Remark : WB189-XX
 (1)XX : color
 WH=White, BLANK=ivory.

Specification :

- Material :
- Box : ABS, UL 94V-0, with optional color.
 - Screw : M3.5X19.0X7.5mm.



NO.	PART NAME	SPECIFICATION DESCRIPTION	QTY	UNIT
③				
②				
①				

DRAWN BY	DATE: 2012/08/25	DESCRIPTION: Surfacemount Box for Wall Plate White
CHECKED BY	SHEET 1 of 1	ITEM NO. WB189
APPROVED BY	SCALE 1:2	REV. 00 UNIT: mm