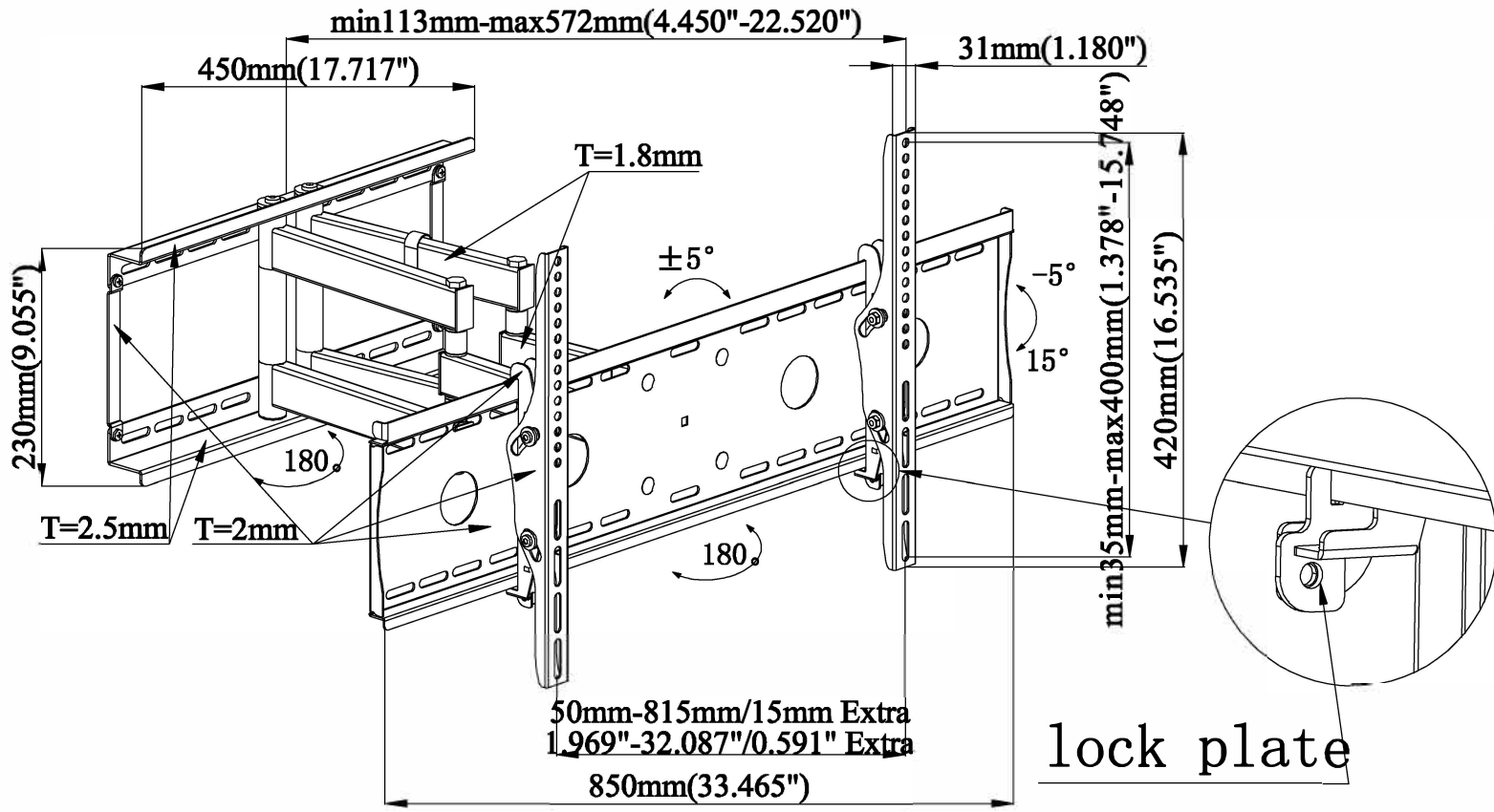



NOTE: ALL MATERIAL COMPLIANT ROHS STANDARD

REVISION INFORMATION			
Rev.	Rev. Date	Modified By	Brief Description



lock plate

NO.	PART NAME	SPECIFICATION DESCRIPTION	QTY	UNIT
③				
②				
①				


LYNN ELECTRONICS

DRAWN BY		Tilt and Swivel Flat Screen TV Wall Mount 37"-65" Displays	
CHECKED BY	SHEET 1 of 1	ITEM NO. MB3765TSBK	
APPROVED BY	SCALE 1:1	REV. 00	UNIT: mm