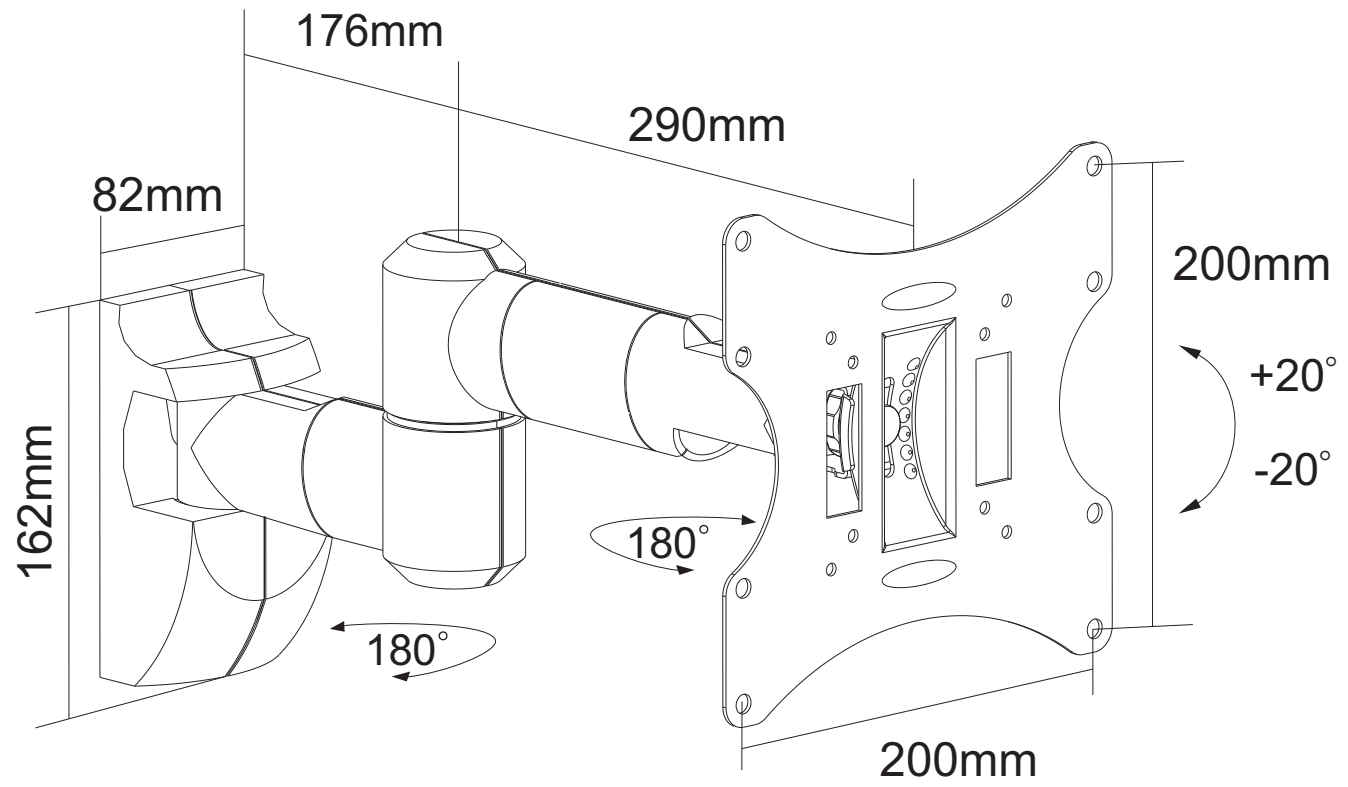



NOTE: ALL MATERIAL COMPLIANT ROHS STANDARD

REVISION INFORMATION			
Rev.	Rev. Date	Modified By	Brief Description




**LYNN ELECTRONICS**

DRAWN BY	DATE: 2011/12/31	Tilt and Swivel Flat Screen TV Ceiling Mount for 23"-42" Displays
CHECKED BY	SHEET 1 of 1	ITEM NO. MB2342TSBK
APPROVED BY	SCALE 1:1	REV. 00    UNIT: mm

NO.	PART NAME	SPECIFICATION DESCRIPTION	QTY	UNIT
③				
②				
①				