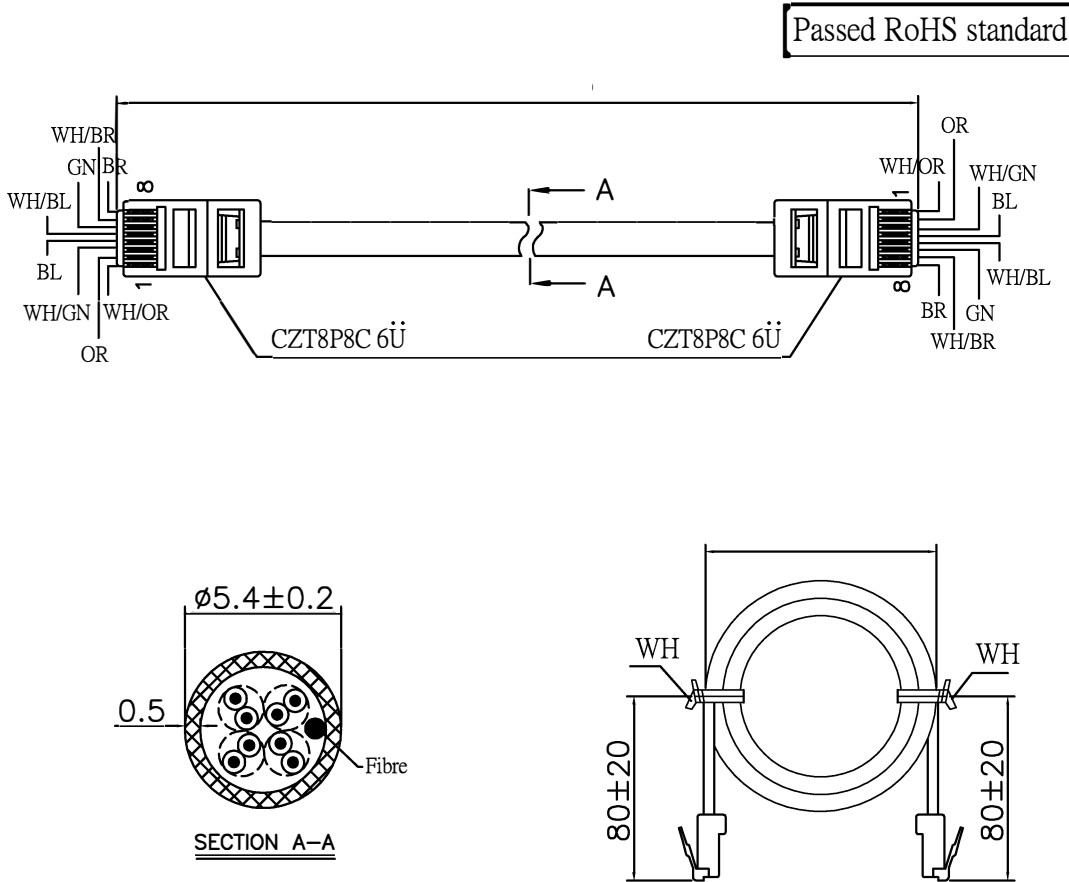




Customer		
P/N	DW8A-DE-XX	
WKM	R	
Description	Revision	
Date		



packing:
 1) Each to PE bag(heat seal).
 2) 50PCS to Inner box . 100PCS to Export Carton.
 3) RoHS Label.

REV.	Description	Date
0	ISSUED VERSION	2006.09.28

S/R NO:807-195	
Wire Specification	1x0.5xØ0.85x2CTwist(twist pitch ≤ 25mm)x4pair
	Twist(twist pitch ≤ 68mm)+500D fibre x Ø5.4±0.2
	(tubulate jacket)
Jacket Colour	80151(GY) PVC
Conductor	1x0.5
Insulation Colour	(WH/OR,OR) (WH/BR,BR)
	(WH/BL,BL) (WH/GN,GN) (Ø0.85±0.05) PP
Cut Length	7625
Normal Length	/
Plug	CZT8P8C 6U 1:2
	/
Terminal	/
Tooling	/
	/
	/
	/
	/
Housing	/
Remarks	Cable tie(WH):L-100 1:2
	PE bag: 7x9"(0.04)(heat seal) 1:1
	/
	/
	/
	/
	/

Tab By		Drawn By	Checked By	Approved By	Tooling	Weight(g)	Unit	Date	Projection
Checked By							mm	2006.09.28	