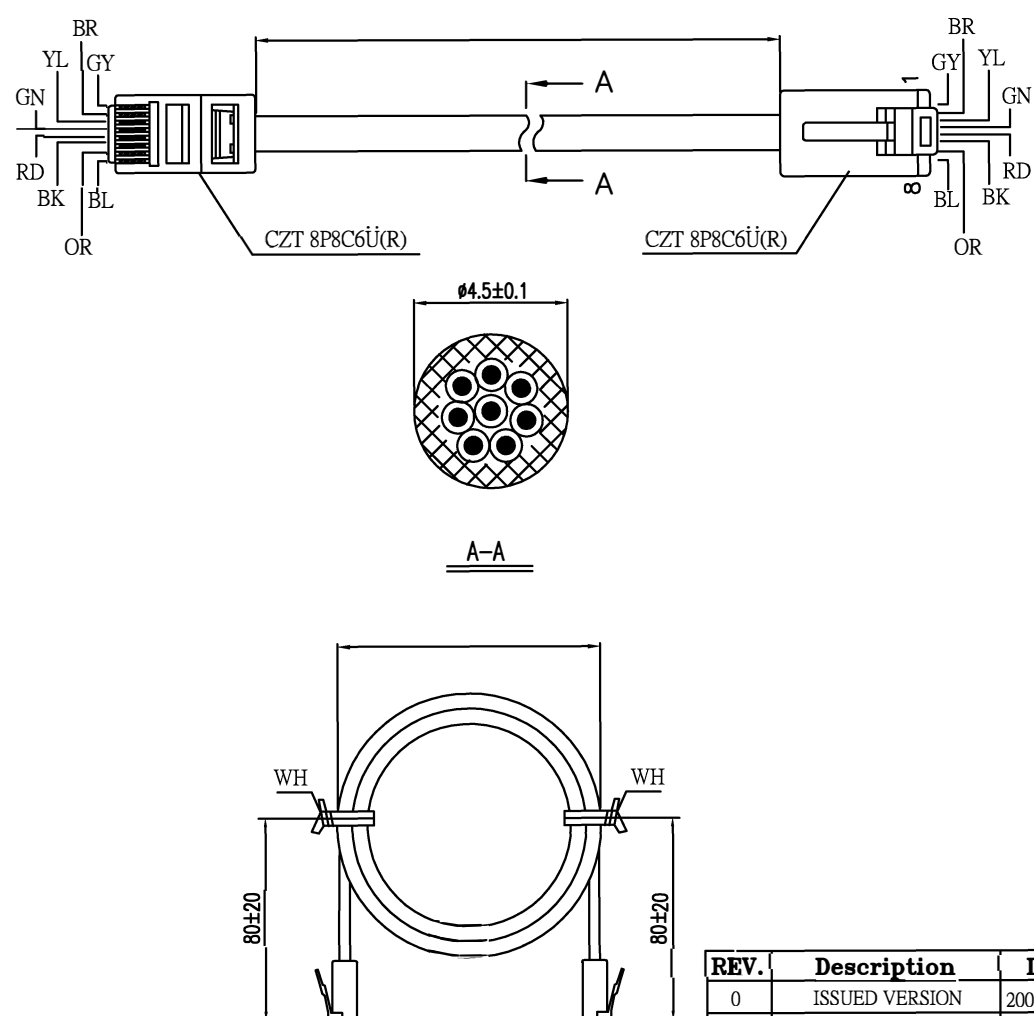
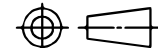


**SPECIFICATION DRAWING**

<b>Customer</b>		 <div style="border: 1px solid black; padding: 2px; display: inline-block; margin-top: 10px;">Passed RoHS standard</div>						<b>S/R NO:807-168</b>			
<b>P/N</b>	L-D8BU-XX							<b>Wire Specification</b>		7x0.1 $\phi$ 0.95x8C(twist)x $\phi$ 4.5 $\pm$ 0.1	
<b>WKM</b>	R										
<b>Description</b>	<b>Revision</b>										
				<b>Jacket Colour</b>							
				80151(GY) PVC							
				<b>Conductor</b>							
				7x0.1							
				<b>Insulation Colour</b>							
				BLOR,BK,RD,GN,YL,BR,GY ( $\phi$ 0.95 $\pm$ 0.05) PP							
				<b>Cut Length</b>							
				4310							
				<b>Normal Length</b>							
				/							
				<b>Plug</b>							
				CZT 8P8C6i(R) 1:2							
				<b>Terminal</b>							
				/							
				<b>Tooling</b>							
				/							
				<b>Housing</b>							
				/							
				<b>Remarks</b>							
				Cable tie(WH): L-120 1:1							
				/							
				/							
				/							
				/							
<b>Date</b>											
<b>Tab By</b>		<b>Drawn By</b>	<b>Checked By</b>	<b>Approved By</b>	<b>Tooling</b>	<b>Weight(g)</b>	<b>Unit</b>	<b>Date</b>	<b>Projection</b>		
<b>Checked By</b>							mm	2006.09.28			

REV.	Description	Date
0	ISSUED VERSION	2006.09.28