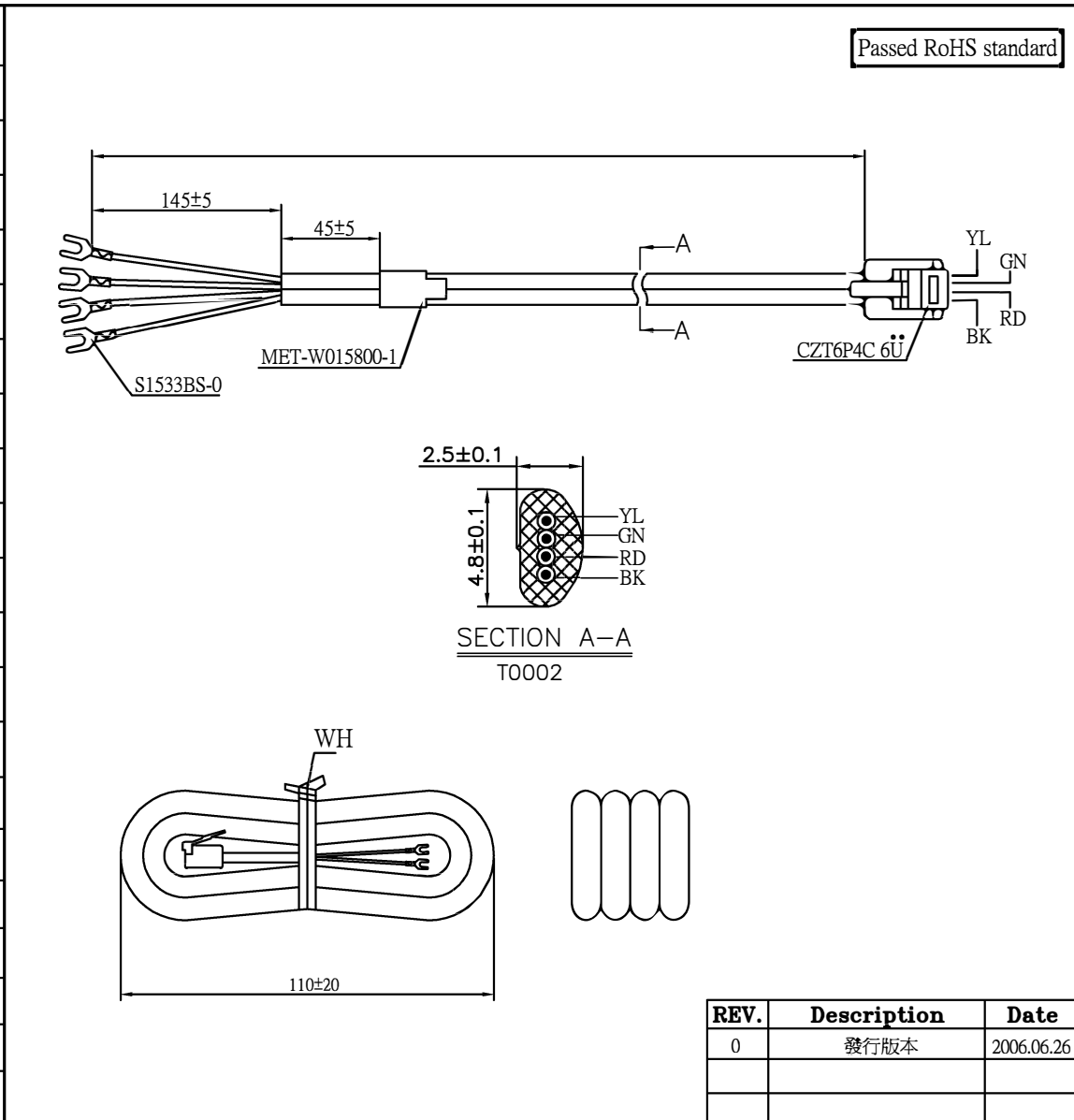


SPECIFICATION DRAWING

Customer		
P/N	L-D4QK-XX-SS	
WKM	R	
Description	Revision	
Date		
Tab By		
Checked By		



S/R NO: 807-274	
Wire Specification	7x0.1x \varnothing 0.95x4Cx(2.5x4.8) \pm 0.1
Jacket Colour	80151(GY) PVC
Conductor	7x0.1
Insulation Colour	BK,RD,GN,YL(\varnothing 0.95 \pm 0.05) PP
Cut Length	320
Normal Length	/
Plug	CZT6P4C 6U 1:1
Terminal	S1533BS-0 1:4 MET-W015800-1 1:1
Tooling	/
Housing	/
Remarks	White cable tie:L-80 1:1 / / / / / /

Drawn By	Checked By	Approved By	Tooling	Weight(g)	Unit	Date	Projection
					mm	2006.06.26	