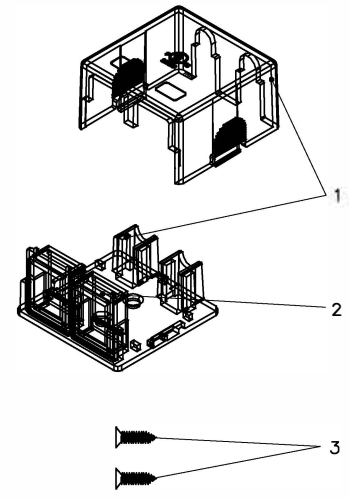
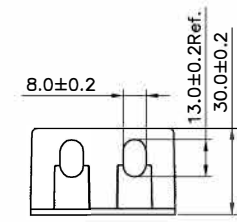
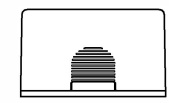
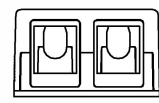
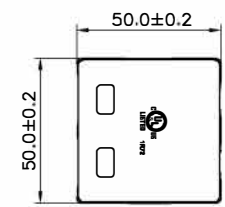


NOTE: ALL MATERIAL COMPLIANT ROHS STANDARD

REVISION INFORMATION			
Rev.	Rev. Date	Modified By	Brief Description



SCALE 1/2



Specification :

- Material :
1. Box : ABS, UL 94V-0, with optional color.
 2. Bracket : ABS, UL 94V-0.
 3. Screw : M4X14.0X7.0mm.



NO.	PART NAME	SPECIFICATION DESCRIPTION	QTY	UNIT
③				
②				
①				

DRAWN BY	DATE: 2012/08/25	DESCRIPTION: 2Port RJ45 Surface Mount Box (Box only)
CHECKED BY	SHEET 1 of 1	ITEM NO. 7-SB-2P
APPROVED BY	SCALE 1:2	REV. 00 UNIT: mm

